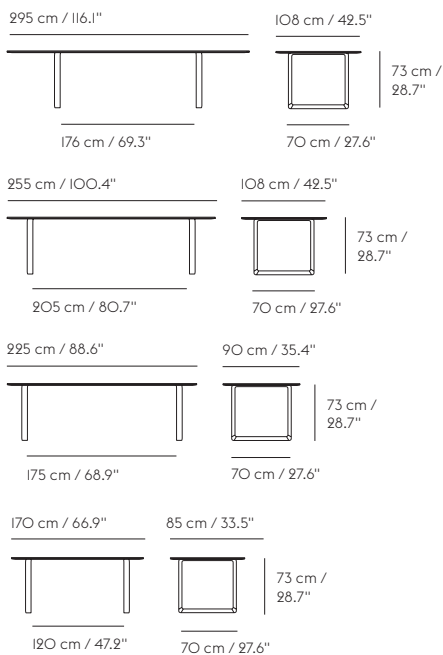


70/70 TABLE



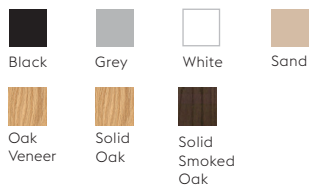
TAF STUDIO ON THE DESIGN “The 70/70 Table is a study in geometric forms, identifying the dimensions that make a balanced design. With its simple and understated expression, the 70/70 Table finds its unique form through careful detailing. Here, the slanted plywood edges of the slender table top and edged triangular shapes of its frame make the 70/70 Table a testament to the ideals of Scandinavian design.”



Height to apron 70cm / 27.6"

READY-TO-SHIP OPTIONS

TABLETOP



FRAME



DESIGNED BY / YEAR OF DESIGN

TAF Studio / 2013

ABOUT THE DESIGNER

TAF Studio is a Stockholm-based design and architecture studio making International headlines within product and interior design.

CATEGORY

Multi-functional table

ENVIRONMENT

Indoor

COUNTRY OF PRODUCTION

Tabletop in Denmark / Tableframe in China

PREASSEMBLED

No - mount legs to tabletop.

DESCRIPTION

The 70/70 Table is designed with a simple expression, paired with subtle, understated details that reveal themselves upon closer inspection. Adding character to the design, the details of the 70/70 Table include its triangular base for a modern expression and the slanted edges of the tabletop, unveiling a wooden veneer for a warm touch. Both the Visu Hanger and the Cable Management Solution can be installed to the 70/70 Table for efficient office and work environments.

MATERIAL

Tabletop in lacquered oak veneer, Black and Grey version in plywood with linoleum surface, White and Sand version in plywood with laminate surface. Solid Oak or Solid Smoked Oak tabletop in FSC™ (FSC-CO28824) certified oak. Frame in powder coated aluminum.

CLEANING AND CARE

Laminate & Linoleum: Clean the table with a damp cloth. If necessary, only use a mild detergent or washing up liquid and not concentrated. Always wipe with a dry cloth afterwards. To minimize the risk of stains and marks, liquid, grease etc. should be removed straight away. For linoleum versions, linoleum care is recommended for optimum saturation of the natural material 2-3 times a year. It is recommended to clean linoleum versions with a damp cloth and a pH neutral cleaner and wipe dry to remove any residues.

Solid Oak & Solid Smoked Oak: Upon receiving your table, we recommend that tabletop and bottom is treated with special oak wood oil, improving its resistance to stains and fluids. We also recommend that you continue caring for the product by repeating this treatment 2-3 times a year. For products in Solid Oak, we recommend using a tabletop oil with a small amount of white pigment, suitable for food applications. For products in Smoked Oak, we recommend using a smoked tabletop oil, suitable for food applications. Clean tabletop often and carefully with a soft and dry cloth following the wood's grain patterns. The product should not be exposed to excessive humidity, heat, or direct sunlight.

Oak Veneer: Clean the table with a damp cloth. If necessary, only use a mild detergent or washing up liquid and not concentrated. Always wipe with a dry cloth afterwards. To minimize the risk of stains and marks, liquid, grease etc. should be removed straight away.





70/70 TABLE

MADE-TO-ORDER

Tabletop finish in nanolaminate available as made-to-order in the colors Black, White and Grey. Non-standard size tables are made to order with max. width of 110 cm / 43.3", min. width of 80 cm / 31.5", max. length of 295 cm / 116.1" and min. length of 140 cm / 55.1".

TESTS & CERTIFICATIONS

EN 15372:2016 - L3: Extreme use
Furniture – Strength, durability and safety –
Requirements for non-domestic tables.

ANSI/BIFMA X5.5-2014
American National Standard For Office Furnishings - Desk products.

FSC™
Oak tabletops made using FSC™
(FSC-CO28824) certified oak.



The mark of
responsible forestry

MUUTO